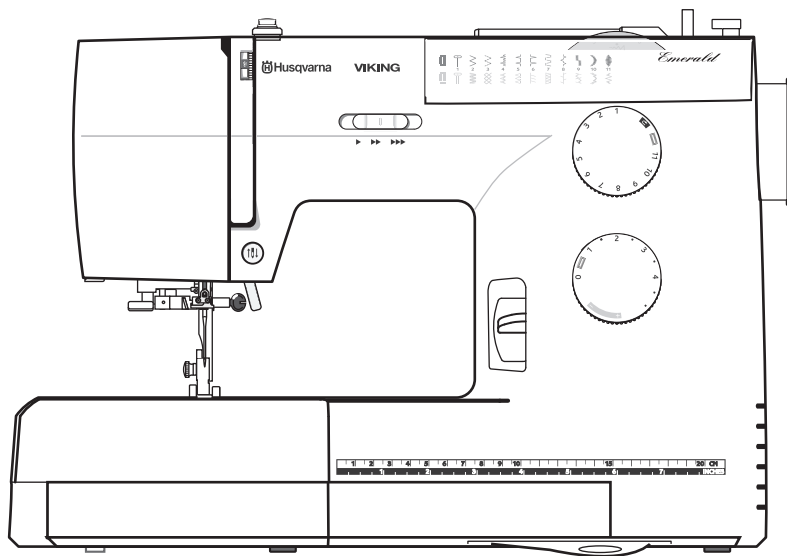


Parts List



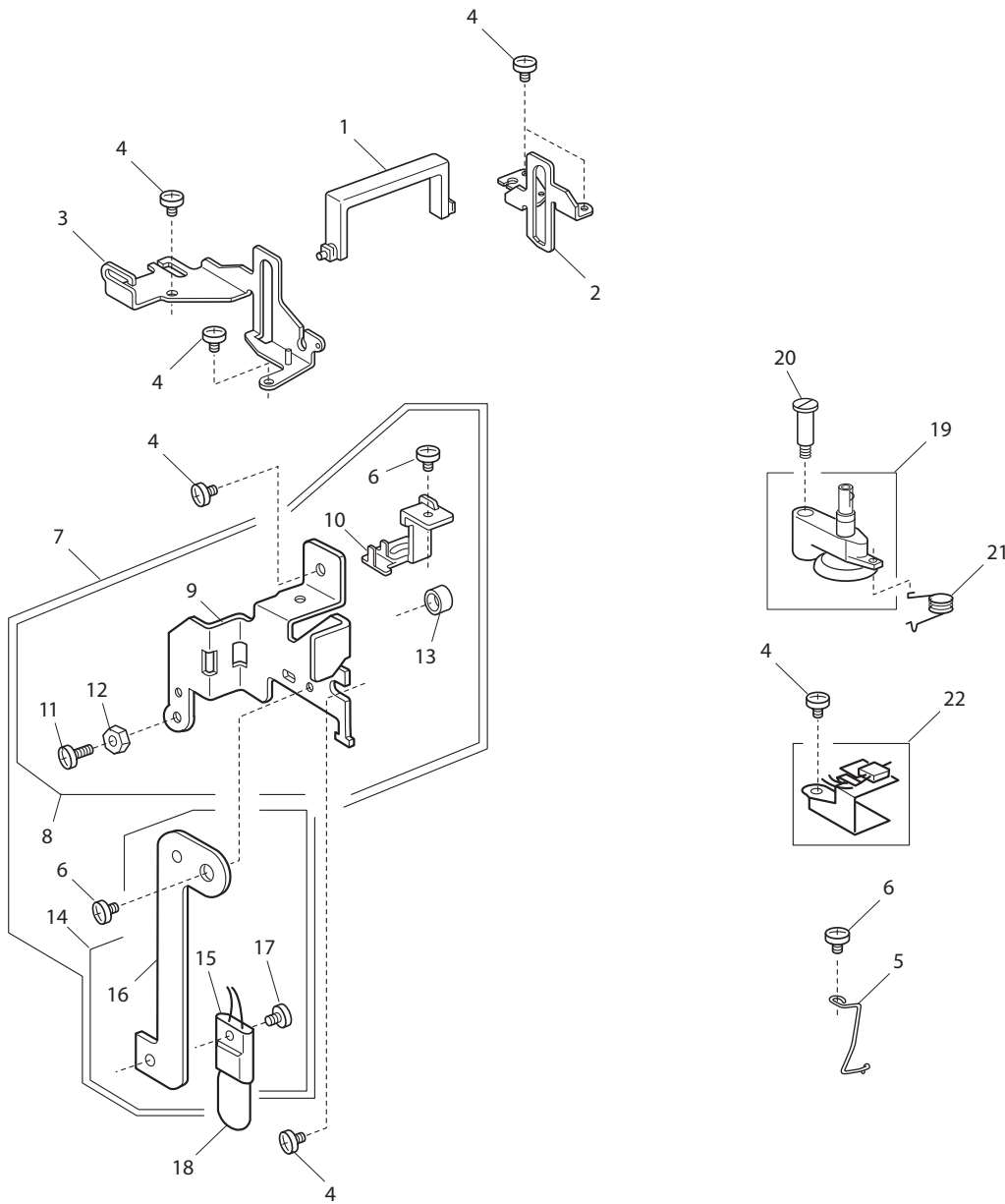
Emerald

116

118

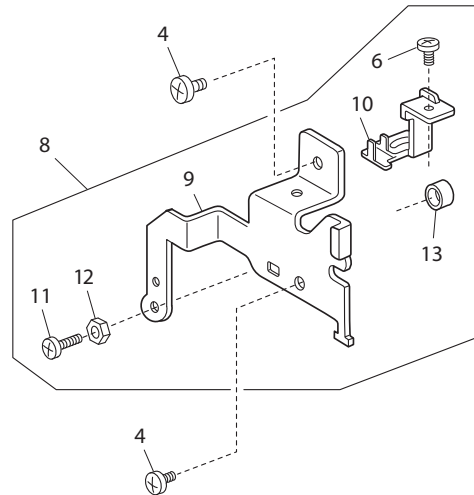
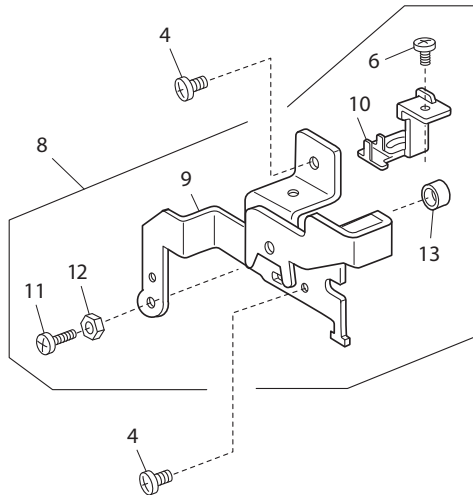
122

A



507605007
Face plate set plate (unit) (U.S.A.) (Canada)

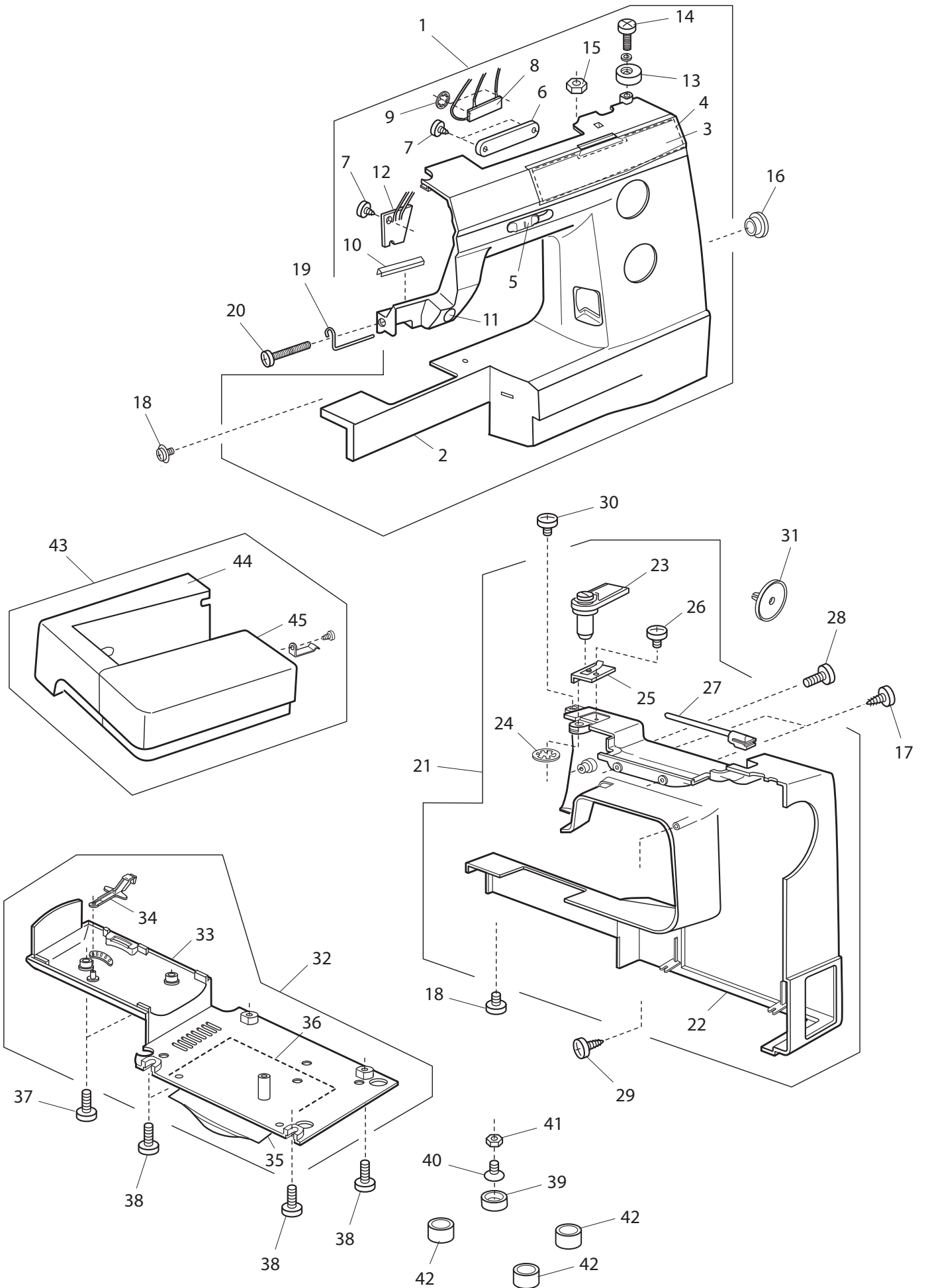
507605100
Face plate set plate (unit) (Continental Europe) (Australia)



<u>NO.</u>	<u>PART NO.</u>	<u>DESCRIPTION</u>
------------	-----------------	--------------------

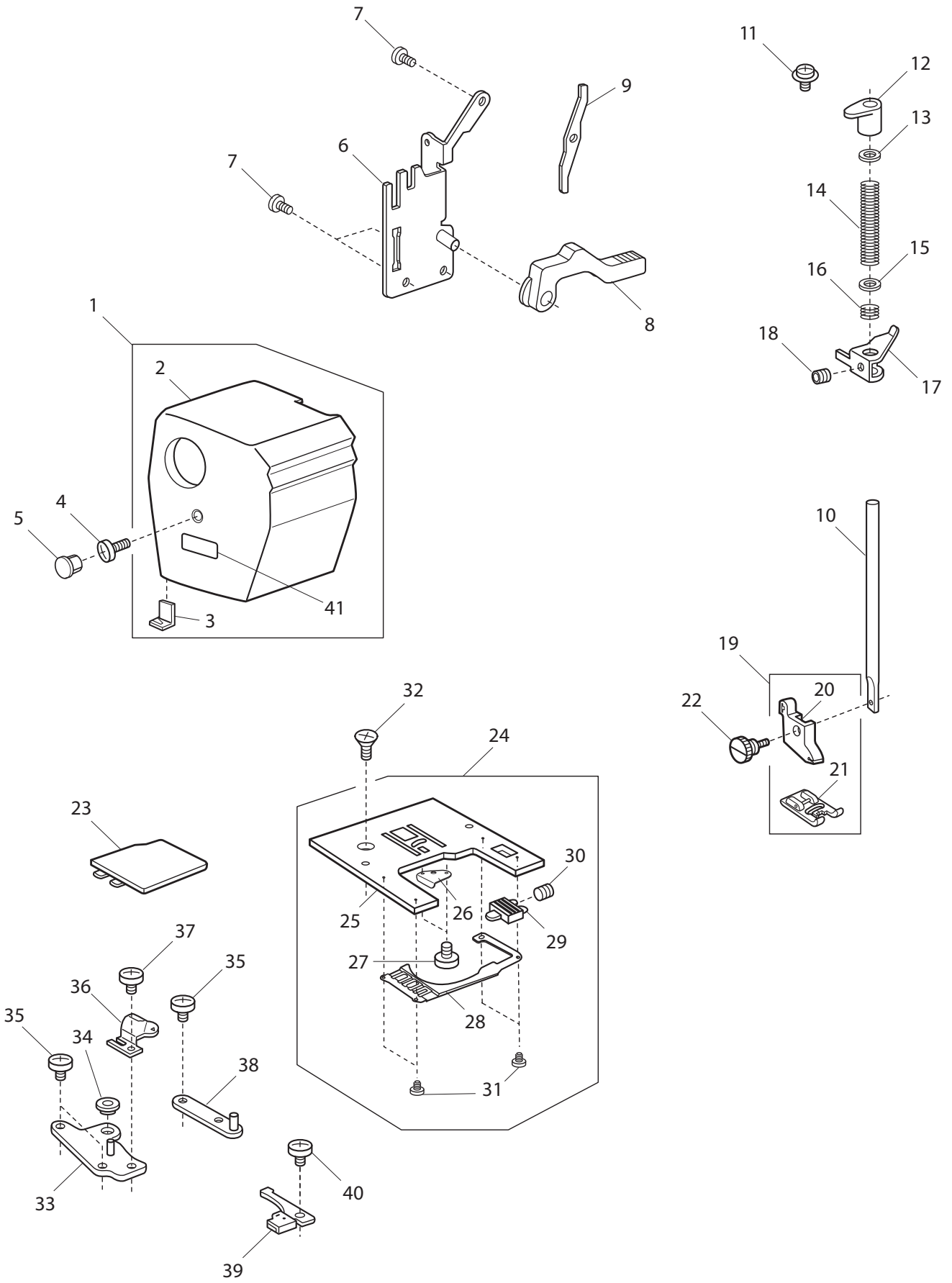
1	416023201	Carrying handle
4	416019701	Setscrew 4x8
7	416587201	Face plate set plate (whole unit) (Model 118, 122)
8	416587301	Face plate set plate (unit) (Model 118, 122)
8	416027501	Face plate set plate (unit) (U.S.A.) (Canada) (Model 116)
8		Face plate set plate (unit) (Continental Europe) (Australia) (Model 116)
14	416254101	Lamp socket (unit) (Model 122, 118)
18	413181801	Wedge base lamp 12V 5W (Model 122, 118)
19	416033501	Bobbin winder (unit)
20	416033001	Setscrew
21	416587701	Spring
22	416587801	Switch base plate (unit) (Model 118, 122)
	68012763	LED UNIT 118
	68012764	LED UNIT 116

B



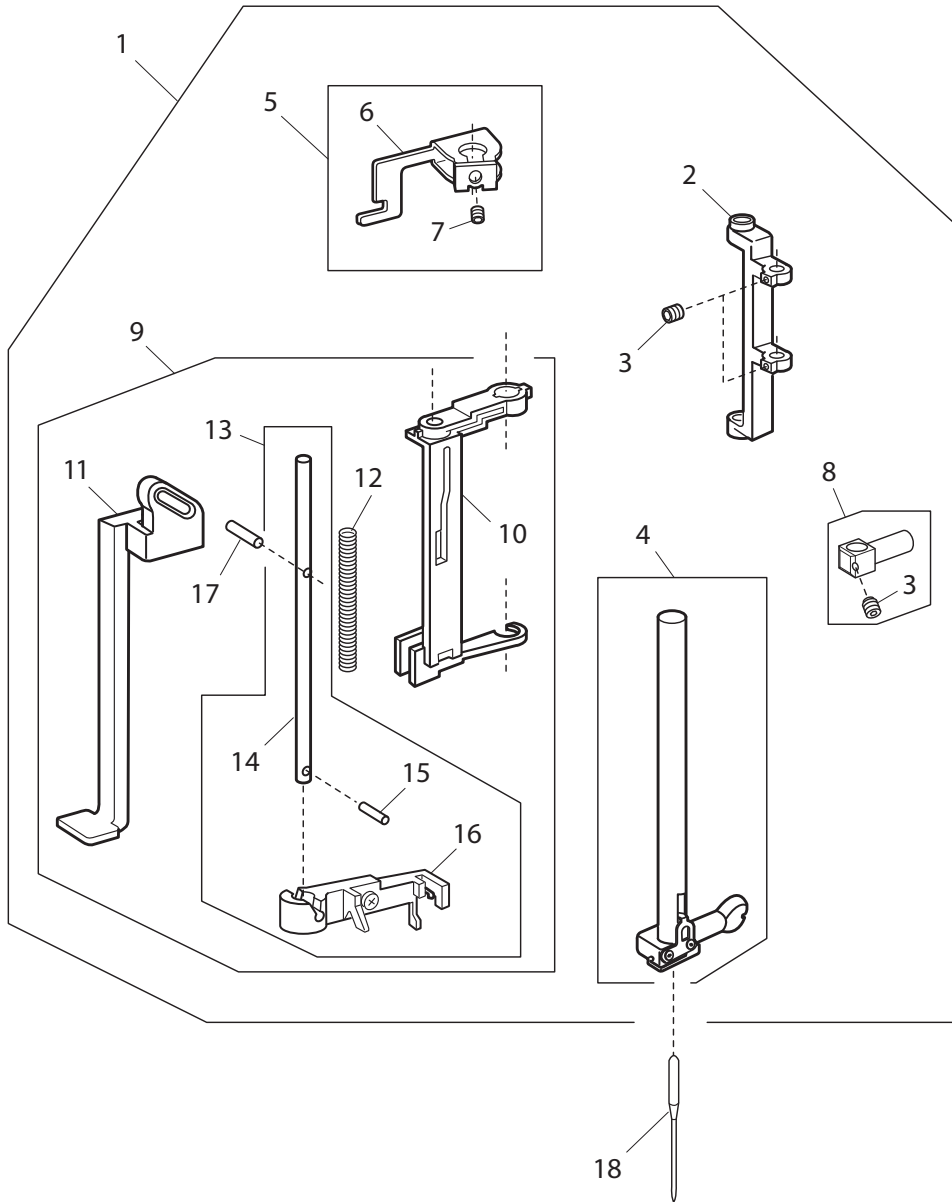
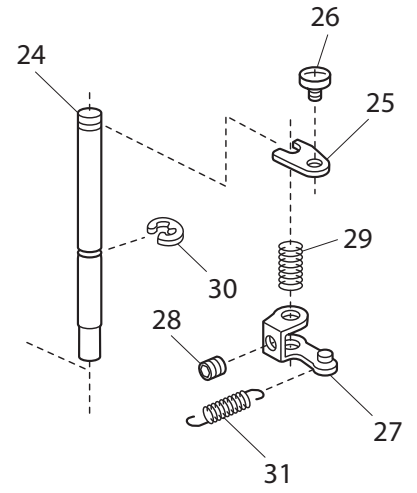
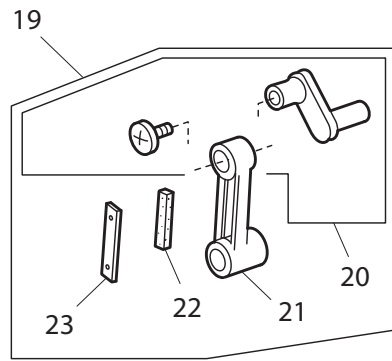
<u>NO.</u>	<u>PART NO.</u>	<u>DESCRIPTION</u>
3	416228201	Ornamental panel (Model 122)
3	416228401	Ornamental panel (Model 116)
5	416228501	Speed adjusting dial (Model 122, 118)
6	416227501	Slide volume knob (Model 122, 118)
8	416588201	Slide volume (unit) (Model 122, 118)
11	416227201	U/D button (Model 122, 118)
12	416588301	Printed circuit board F (unit) (Model 122, 118)
13	416034901	Bobbin winder stopper
16	416035901	Cap
21	416226201	Rear cover (unit)
23	416588401	Thread guide (unit)
27	416034001	Additional spool pin
31	416078401	Spool holder (large)
32	416226701	Base cover (unit)
39	416034801	Rubber foot
43	416227001	Extension table (unit)

C



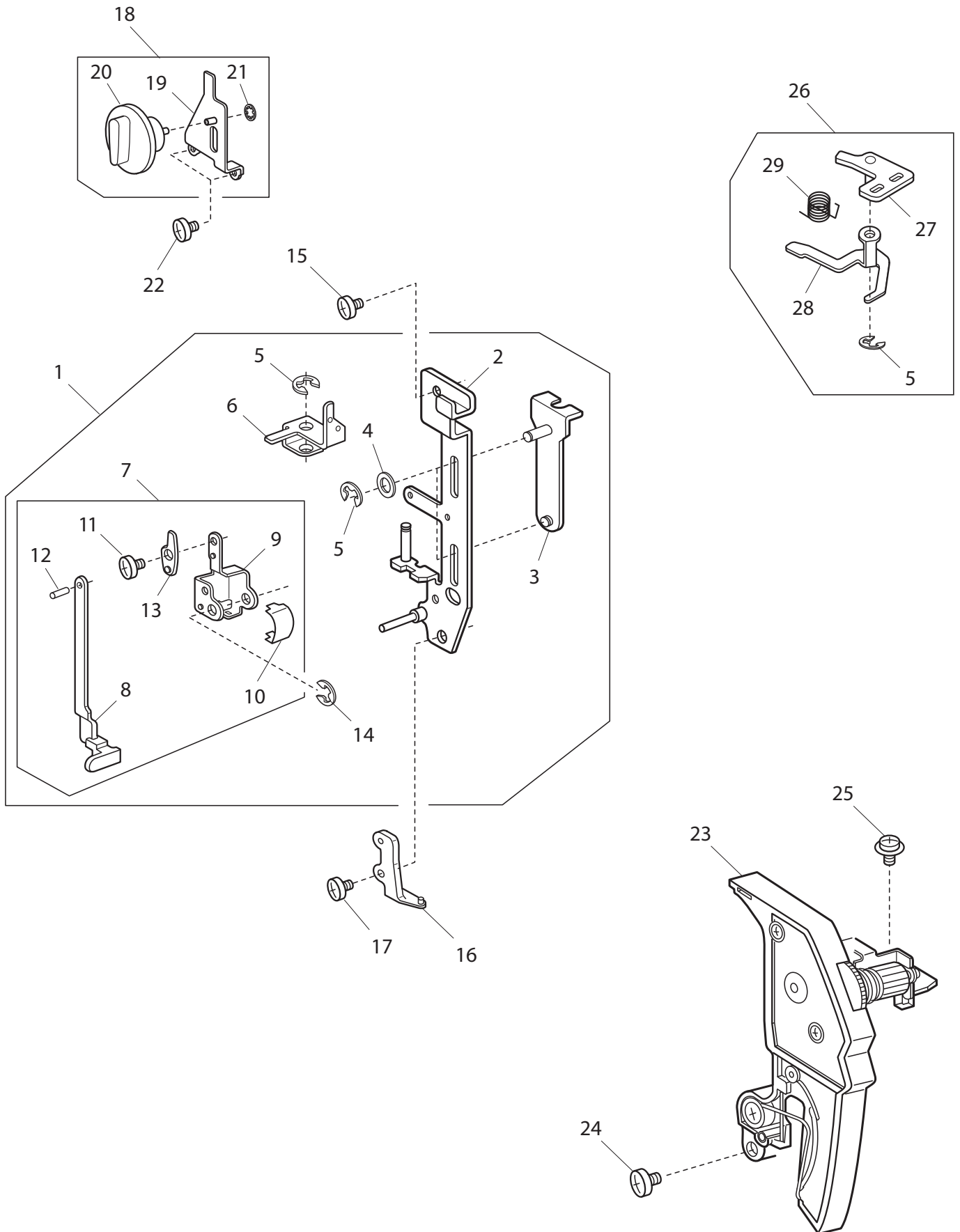
<u>NO.</u>	<u>PART NO.</u>	<u>DESCRIPTION</u>
1	416232801	Face plate (unit) (U.S.A.) (Canada) (Model 118, 122)
1	416232901	Face plate (unit) (U.S.A.) (Canada) (Model 116)
2	416245001	Face plate (Model 116)
2	416244901	Face plate (Model 118, 122)
3	416044601	Thread cutter (unit)
5	416035901	Cap
8	416035101	Presser foot lifter
10	416043701	Presser bar
19	416589501	Presser foot (unit)
20	416589601	Presser foot holder (unit)
21	412764001	Zigzag foot
22	416030201	Setscrew
23	416258601	Hook cover plate
24	68004170	Needle plate (unit) New Version
24	416037401	Needle plate (unit) Old Version
32	416041801	Needle plate set screw
36	416042301	Bobbin holder stopper
39	68004172	Bobbin holder stopper (unit) New Version
39	416037301	Bobbin holder stopper (unit) Old Version

D



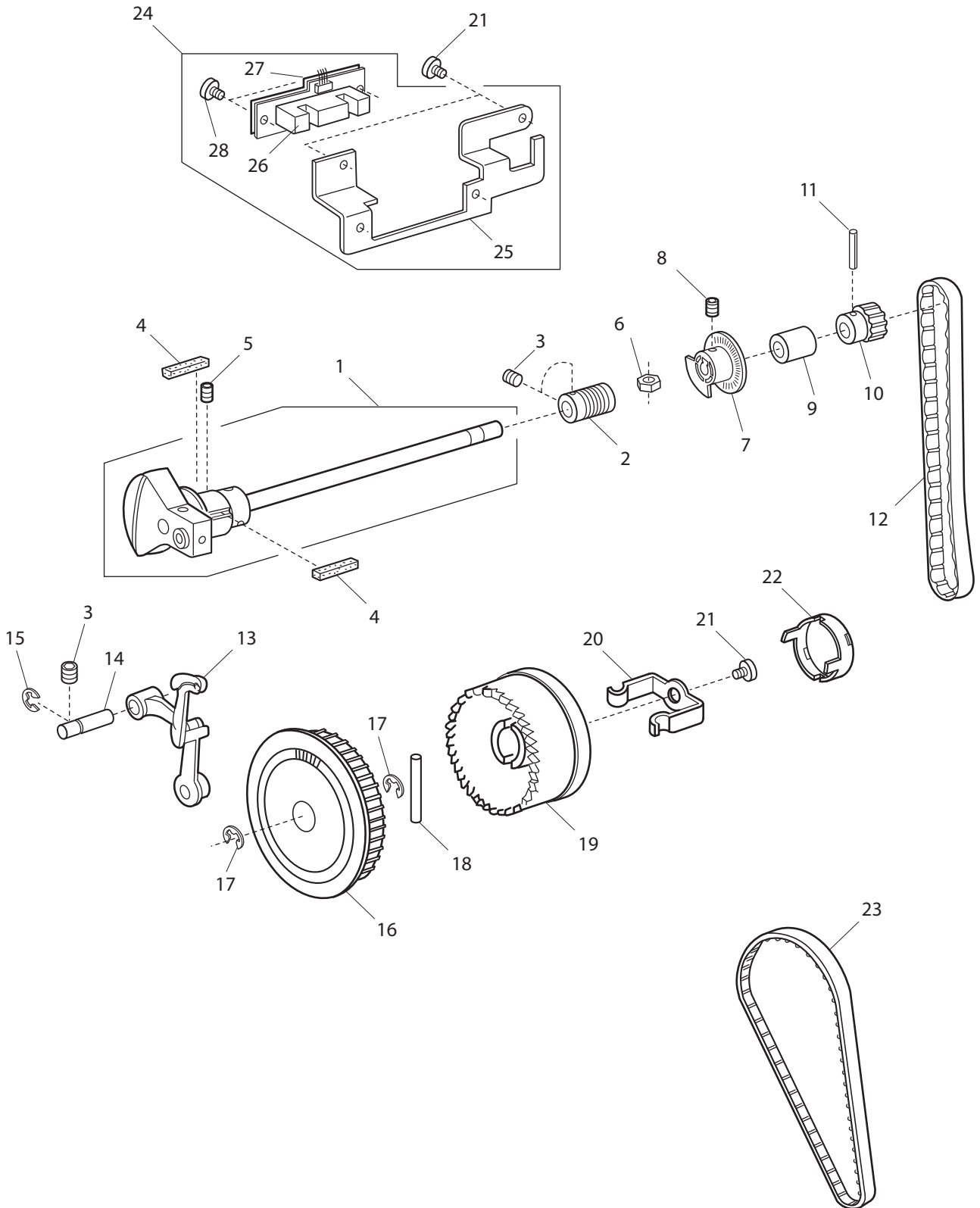
<u>NO.</u>	<u>PART NO.</u>	<u>DESCRIPTION</u>
2	416036301	Needle bar supporter
4	416253101	Needle bar (unit)
9	416590001	Needle threader (unit)
16	416040201	Threader plate (unit)
19	416590201	Needle bar crank rod (unit)

E



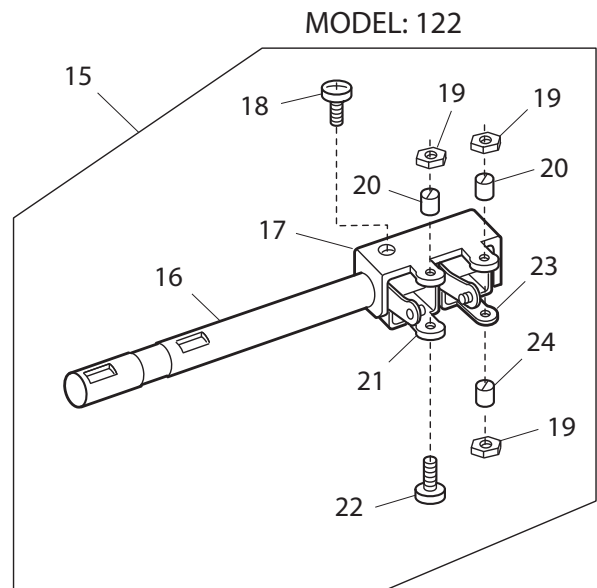
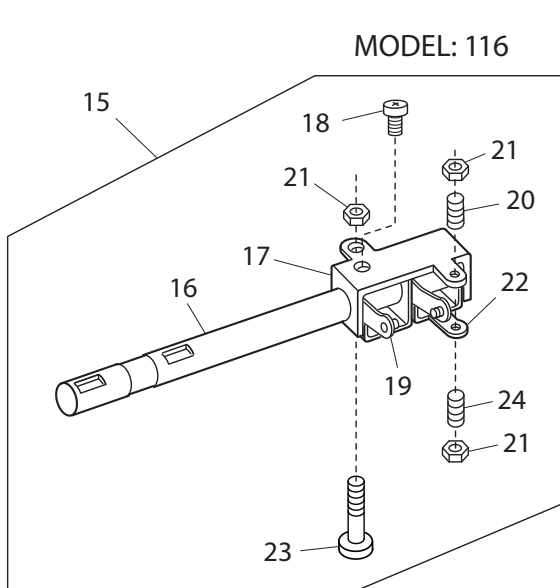
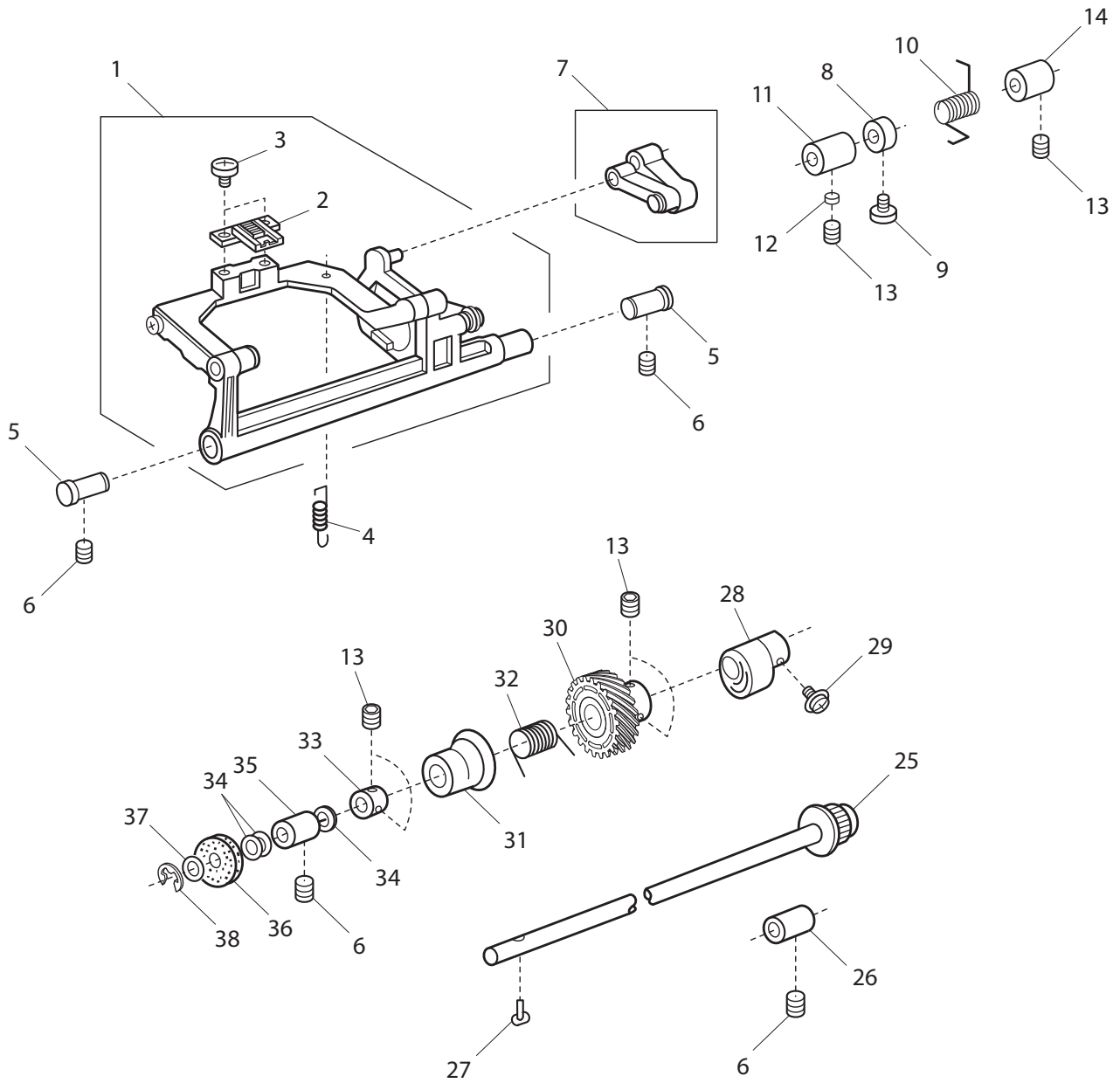
<u>NO.</u>	<u>PART NO.</u>	<u>DESCRIPTION</u>
5	416017401	Snap ring E-3
7	416037901	Buttonhole lever (unit)
20	416253801	Presser foot pressure dial
21	416018101	Snap ring CS-4
23	416253901	Thread tension (unit) (Model 118, 122)
23	416254001	Thread tension (unit) (Model 116)

F



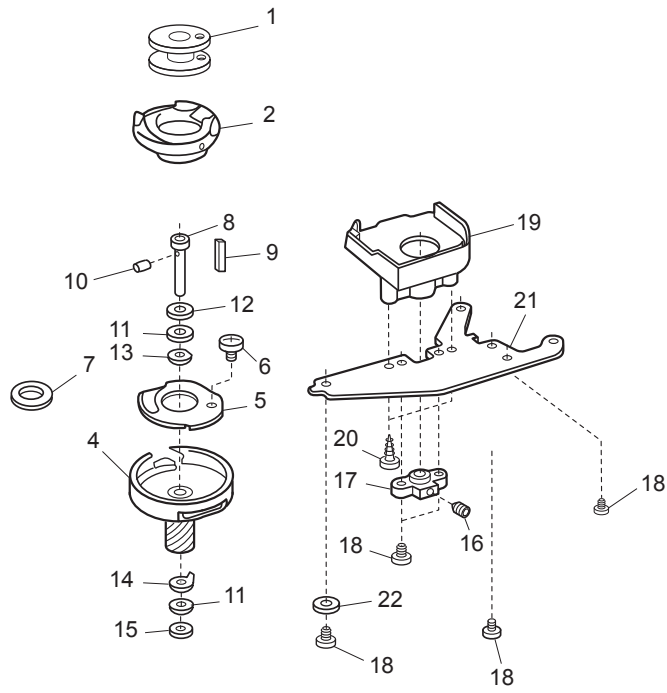
<u>NO.</u>	<u>PART NO.</u>	<u>DESCRIPTION</u>
4	416034601	Felt
12	416702101	Timing belt
13	416041901	Thread take-up lever (unit)
16	416040401	Belt wheel
17	416018601	Snap ring E-8
19	416035701	Handwheel
20	416030001	Clutch spring
22	416035801	Handwheel cap
23	416033801	Timing belt
26	416254901	Printed circuit board N (unit) (Model 118, 122)

G

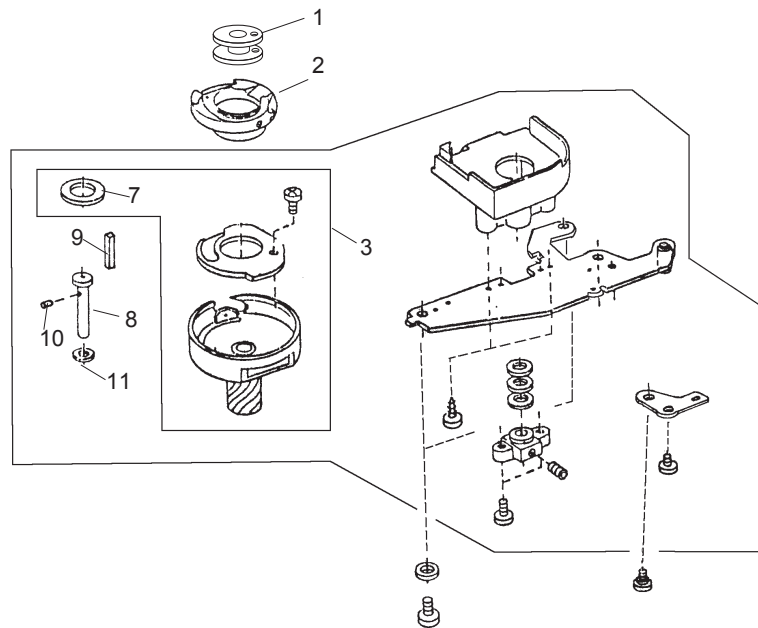


<u>NO.</u>	<u>PART NO.</u>	<u>DESCRIPTION</u>
1		Feed rock shaft (unit)
2	416033901	Feed dog
15		Feed regulating plate (unit) (Model 118, 122)
15	416027801	Feed regulating plate (unit) (Model 116)
25	416037701	Lower shaft (unit)
26	416031801	Lower shaft bushing (rear)
28	416037001	Feed cam
31	416039001	Feed lifting cam

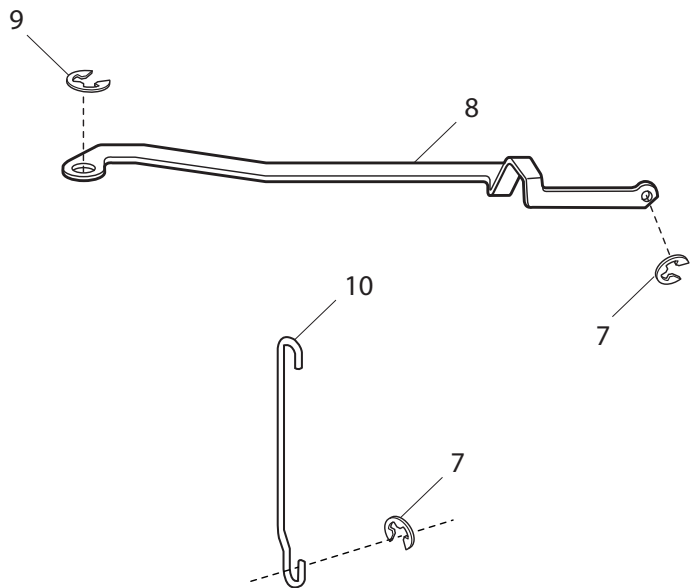
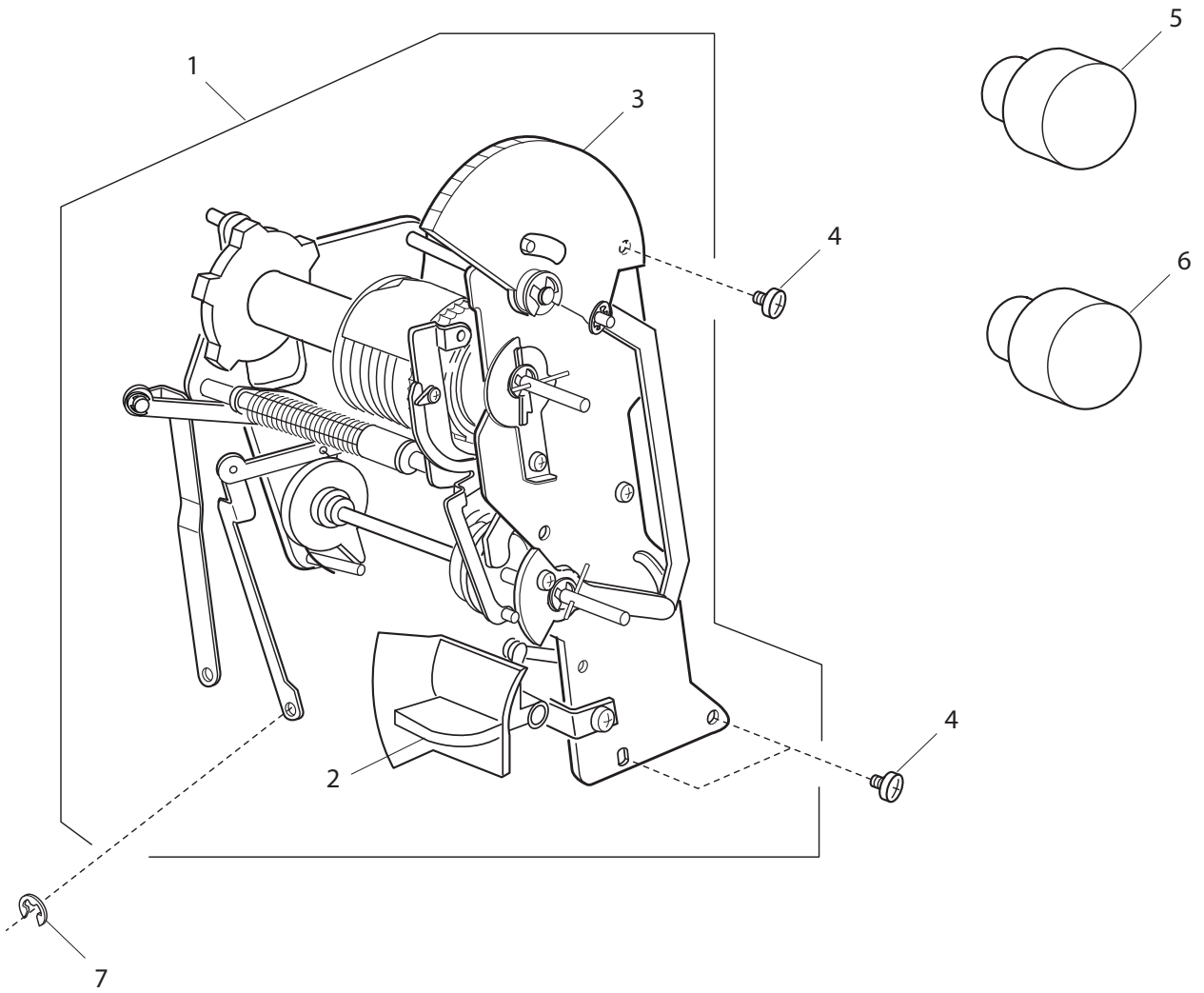
New Version



Old Version

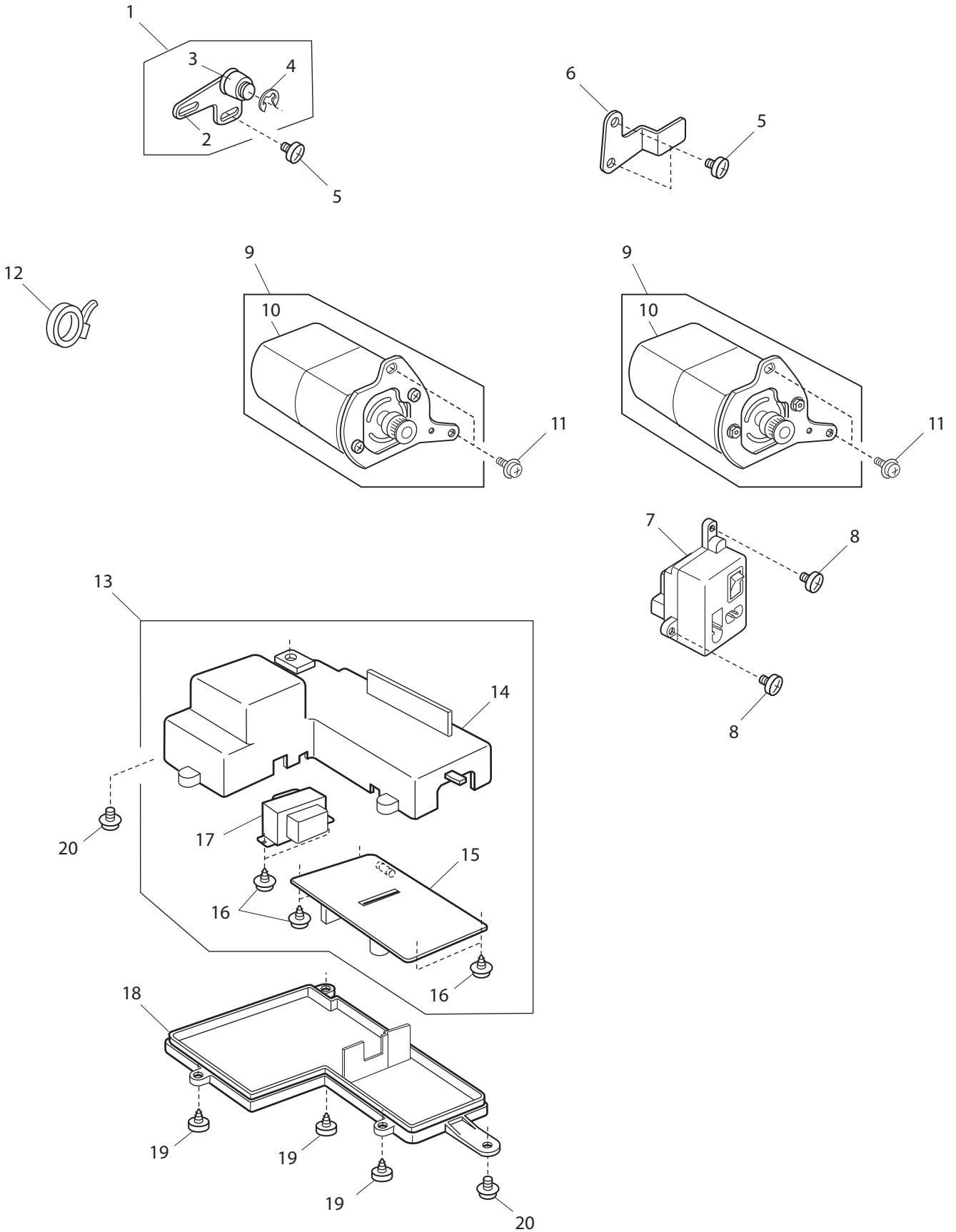


<u>NO.</u>	<u>PART NO.</u>	<u>DESCRIPTION</u>
1	68001389	Bobbin
2	416591701	Bobbin holder (unit) (Model 118, 122)
2	416029901	Bobbin holder (unit) (Model 116)
3	416033701	Hook race (unit) Old Version
4	68004173	Hook body (unit) New Version
5	68004174	Hook bottom plate New Version
6		Setscrew 2x2.3
7	416029601	Magnet
8	416041101	Hook race shaft
9	416041201	Oil string (1)
10	416041301	Oil string (2)
11	416018701	Washer



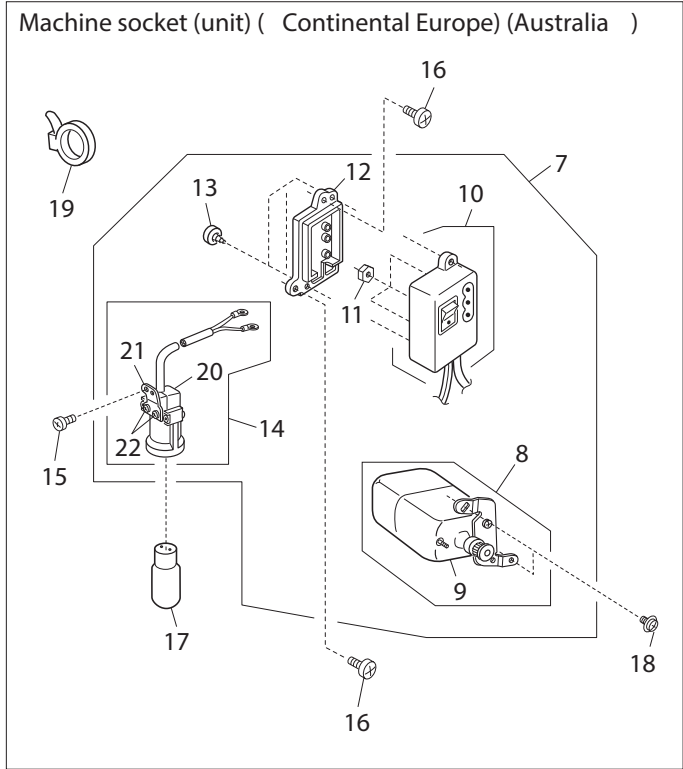
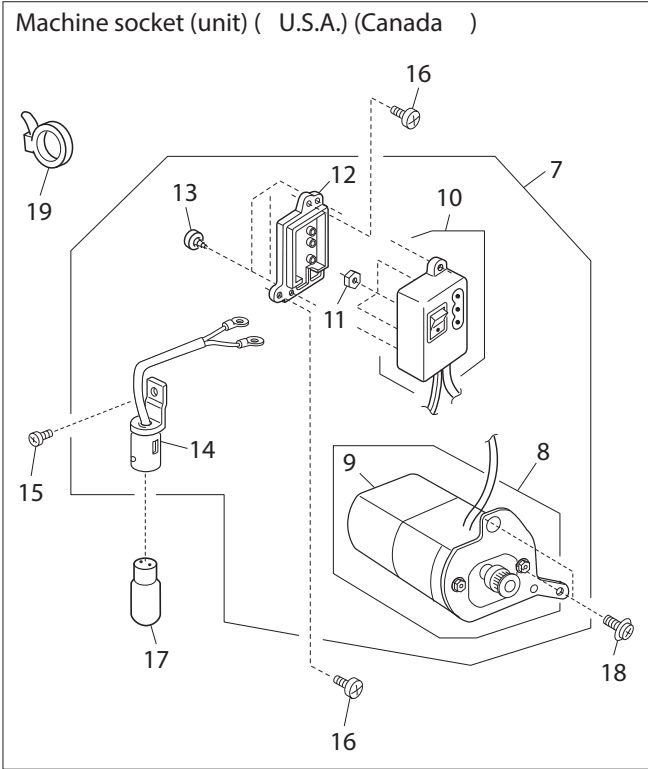
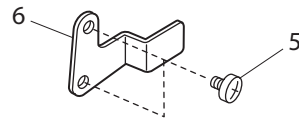
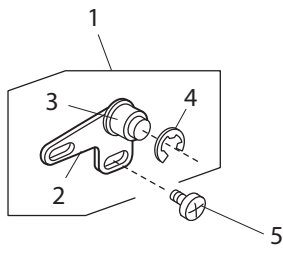
NO. PART NO. DESCRIPTION

1		Cam block (unit) (Model 122)
1	416256201	Cam block (unit) (Model 118)
1	416256301	Cam block (unit) (Model 116)
5	416256601	Pattern selector dial (Model 122)
5	416256701	Pattern selector dial (Model 118)
5	416256801	Pattern selector dial (Model 116)
6	416256901	Stitch length dial



NO. PART NO. DESCRIPTION

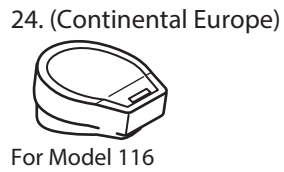
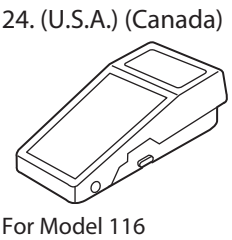
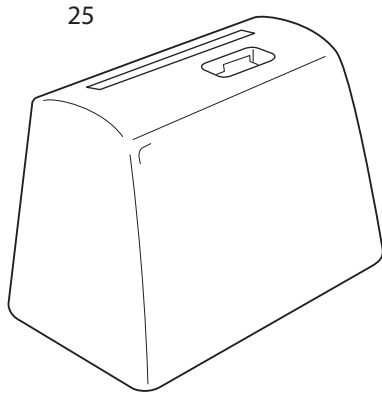
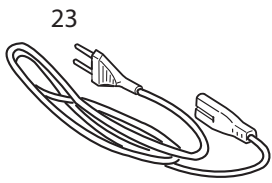
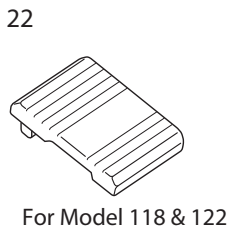
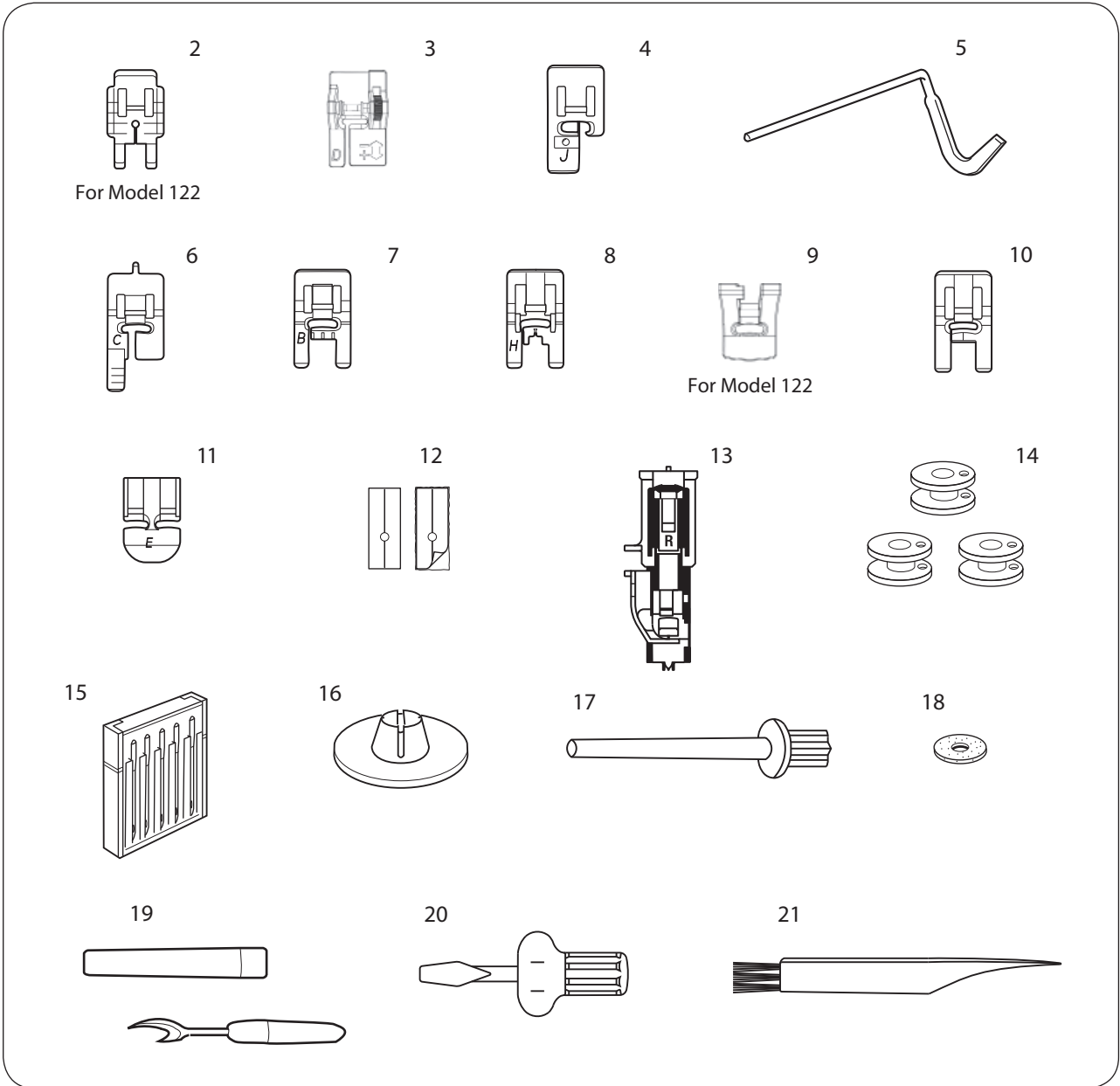
1	416039101	Idler (unit) (Model 118, 122)
7	416592201	Machine socket (U.S.A.) (Canada) (Model 118, 122)
7	416592101	Machine socket (unit) (Continental Europe) (Australia) (Model 118, 122)
9	416592301	Motor (unit) (U.S.A.) (Canada) (Model 118, 122)
9	416259001	Motor (unit) (Continental Europe) (Australia) (Model 118, 122)
10		Motor (U.S.A.) (Canada) (Model 118, 122)
10		Motor (Continental Europe) (Australia) (Model 118, 122)
13	416257401	Circuit board case (unit) (U.S.A.) (Canada) (Model 118, 122)
13	416259401	Circuit board case (unit) (Continental Europe) (Australia) (Model 118, 122)
14		Circuit board case (Model 118, 122)
15		Printed circuit board B (unit) (U.S.A.) (Canada) (Model 118, 122)
15		Printed circuit board B (unit) (Continental Europe) (Australia) (Model 118, 122)
17	416257801	Power transformer (unit) (U.S.A.) (Canada) (Model 118, 122)
17		Power transformer (unit) (Continental Europe) (Australia) (Model 118, 122)



NO.	PART NO.	DESCRIPTION
-----	----------	-------------

1	416039101	Idler (unit)
7		Machine socket (whole unit) (U.S.A.) (Canada) (Model 116)
7		Machine socket (whole unit) (Continental Europe) (Model 116)
7		Machine socket (whole unit) (Australia) (Model 116)
8		Motor (unit) (U.S.A.) (Canada) (Model 116)
8	416040801	Motor (unit) (Continental Europe) (Model 116)
8		Motor (unit) (Australia) (Model 116)
9	68004175	Motor (U.S.A.) (Canada) (Model 116)
9	68004176	Motor (Continental Europe) (Model 116)
9		Motor (Australia) (Model 116)
10	416035501	Machine socket (unit) (U.S.A.) (Canada) (Model 116)
10	416035401	Machine socket (unit) (Continental Europe) (Australia) (Model 116)
12	416023701	Machine socket cover (Model 116)
14	68004179	Lamp socket (unit) (U.S.A.) (Canada) (Model 116)
14	68004180	Lamp socket (unit) (Continental Europe) (Model 116)
14		Lamp socket (unit) (Australia) (Model 116)
17	416017901	Lamp 120V 15W (Model 116)
17	416017801	Lamp 240V 15W (Model 116)
	668012763	LED UNIT 118
	68012764	LED UNIT 116

K



<u>NO.</u>	<u>PART NO.</u>	<u>DESCRIPTION</u>
1	416592601	Standard accessories (unit) (Model 122)
2	412370845	Quilter's 1/4 Piecing foot (Model 122)
3	412380445	Adjustable blind hem foot
4	412380645	Edging foot
5	412601945	Quilting bar
6	412785345	Buttonhole foot
7	413113602	Presser foot
8	416589601	Non-stick glide foot
9	412797101	Gathering foot (Model 122)
10	413113846	Transparent foot
11	412801545	Zipper foot
12	412827401	Self-adhesive glide plates
13		Automatic buttonhole foot
14	68001389	Bobbin
15		Needle case (unit)
16	416042401	Spool holder (small)
17	416029201	Additional spool pin
18	416023401	Felt
19	416030401	Seam ripper (buttonhole opener) (unit)
20	412381501	Screwdriver (large)
21	416040901	Lint brush
22	416592501	Foot control (unit) (Model 118, 122)
22	C1028	Foot control (unit) (U.S.A.) (Canada) (Model 116)
22	416259901	Foot control (unit) (Continental Europe) (Model 116)
22	416045101	Foot control (unit) (Australia) (Model 116)
23	416054401	Power supply cord (U.S.A.) (Canada) (Model 118, 122)
23	412157801	Power supply cord (Continental Europe) (Model 118, 122)
23		Power supply cord (Australia) (Model 118, 122)
25	416315501	Cover